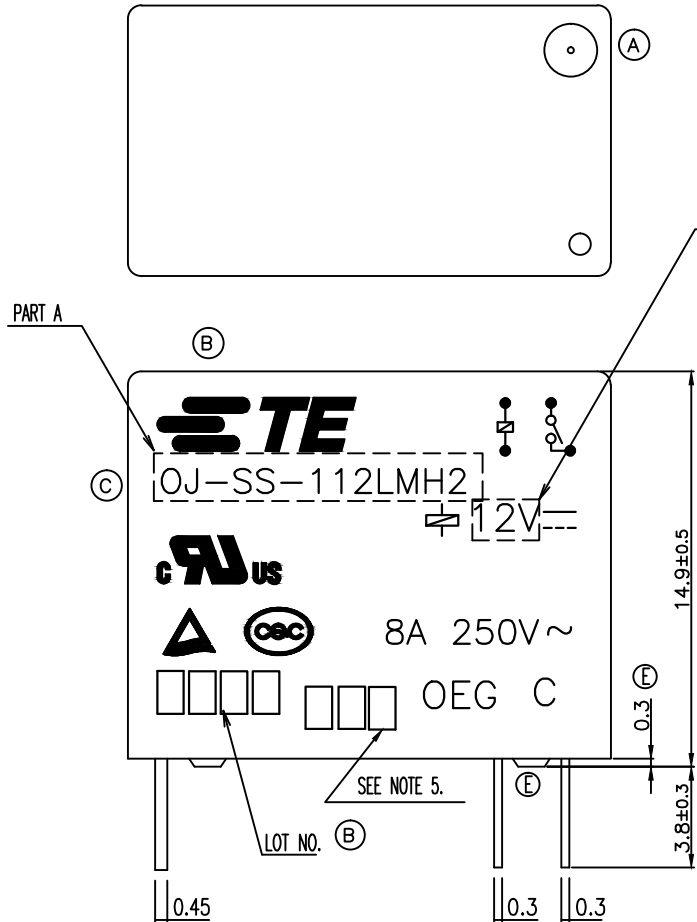


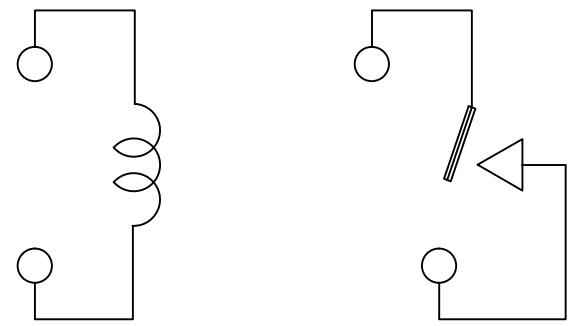
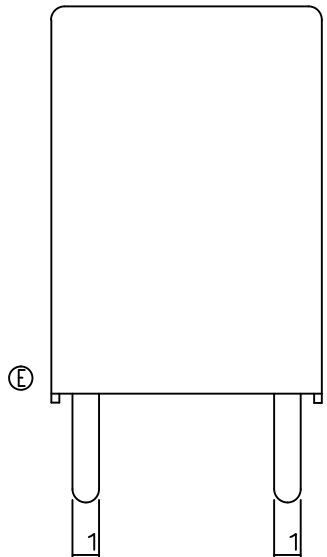
THIS DRAWING IS UNPUBLISHED. RELEASED FOR PUBLICATION  
 © COPYRIGHT - By - ALL RIGHTS RESERVED.

LOC		DIST		REVISIONS			
P	LTR	DESCRIPTION		DATE	DWN	APVD	
HB	-	E		REMOVED THE RIB ON THE BASE TO CASE ECO-15-011310	04DEC2015	HYS	CHL



PART B

PART A



CONNECTION FIGURE

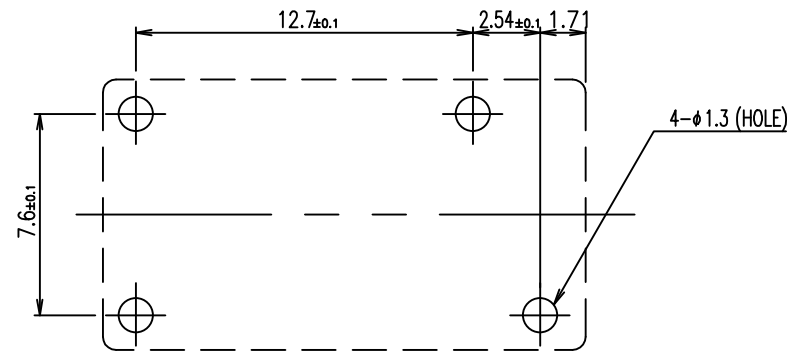
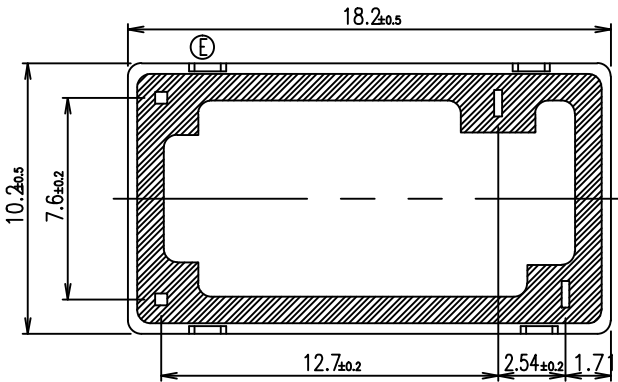


FIGURE FOR PRINTED CIRCUIT BOARD PROCESSING (BOTTOM VIEW)

Diagram dimension	Tolerance
0.99mm max.	±0.1mm
1 - 2.99mm	±0.2mm
3mm min.	±0.3mm



THIS DRAWING IS A CONTROLLED DOCUMENT.

DIMENSIONS:	TOLERANCES UNLESS OTHERWISE SPECIFIED:
mm	
	0 PLC ± -
	1 PLC ± -
	2 PLC ± -
	3 PLC ± -
	4 PLC ± -
	ANGLES ± -

MATERIAL -  
 FINISH -

DWN	Hu.XieLi	-
CHK	Mak.Simon	-
APVD	Mingjung.Ho	-
PRODUCT SPEC		
APPLICATION SPEC		
WEIGHT		
CUSTOMER DRAWING		

TE Connectivity			
NAME -			
OJE CUSTOMER DRAWING(OJE-SS-LMH2)			
SIZE	CAGE CODE	DRAWING NO	RESTRICTED TO
A3	00779	1721261	-
SCALE 5:1		SHEET 1 OF 2	REV E

THIS DRAWING IS UNPUBLISHED. RELEASED FOR PUBLICATION - , - .  
 © COPYRIGHT - By - ALL RIGHTS RESERVED.

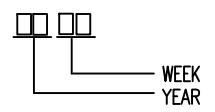
LOC	DIST	REVISIONS					
HB	-	P	LTR	DESCRIPTION	DATE	DWN	APVD
		-		SEE SHEET 1	-	-	-

1721261-6	OJE-SS-124LMH2	24V	OJE-SS-124LMH2	f
1721261-5	OJE-SS-112LMH2	12V	OJE-SS-112LMH2	e
1721261-4	OJE-SS-109LMH2	9V	OJE-SS-109LMH2	d
1721261-3	OJE-SS-106LMH2	6V	OJE-SS-106LMH2	c
1721261-2	OJE-SS-105LMH2	5V	OJE-SS-105LMH2	b
1721261-1	OJE-SS-103LMH2	3V	OJE-SS-103LMH2	a
TE PART NO	PART A	PART B	DESCRIPTION	TYPE

RELAY TYPE

NOTES:

- 1.TERMINAL DIMENSION BEFORE TINNING.
- 2.LOT NO. SYSTEM AS FOLLOWING:



© 5.ADD LOT NO. SYSTEM AS FOLLOWING;



- I, DIGITS FOR DAY OF THE WEEK
  - 1...MONDAY IN THIS WEEK;
  - 2...TUESDAY IN THIS WEEK;
  - .....
  - 7...SUNDAY IN THIS WEEK
- II, DIGITS FOR SHIFT OF THE DAY
  - 1...DAY SHIFT IN THIS DAY;
  - 2...NIGHT SHIFT IN THIS DAY;
- III, ONE CHARACTER DISTINGUISH THE LINE IDENTITY, SUCH AS: A,B,....Z

- © 2.TERMINAL DIMENSION IS BEFORE SOLDER DIP;
- © 3.FOR THE TIN-PLATING OF THE PINS:  
+0.1mm FOR WIDTH,THICKNESS AND DIAMETER.  
+0.5mm FOR LENGTH.
- ©© 4.MARKING FROM INK TO LASER AND USING WELDED CONTACT

		EPOXY RESIN	SEAL (BASE & BOBBIN)	15
		3UEW	MAGNETIC WIRE	14
UL94V-0		P.B.T	CASE	13
UL94V-0		P.B.T	BASE	12
UL94V-0		P.B.T	BOBBIN	11
	SOLDER DIP	C.P WIRE	COIL TERMINAL	10
UL94V-0		P.P.S	CARD	9
		AgSnOInO	MOVABLE CONTACT	8
		AgSnOInO	NO.CONTACT	7
		STEEL	HINGE SPRING	6
	SOLDER DIP	Cu ALLOY	NO.TERMINAL	5
	SOLDER DIP	Cu ALLOY	MOVABLE SPRING	4
	NIP	STEEL	CORE	3
	NIP	STEEL	ARMATURE	2
	NIP	STEEL	YOKE	1
INCOMBUSTIBILITY	TREATMENT	MATERIAL	DESCRIPTION	ITEM

THIS DRAWING IS A CONTROLLED DOCUMENT.		DWN	Hu.XieLi	-
DIMENSIONS: mm		CHK	Mak.Simon	-
TOLERANCES UNLESS OTHERWISE SPECIFIED:		APVD	Mingjung.Ho	-
	0 PLC	± -	NAME	
	1 PLC	± -	-	
	2 PLC	± -	OJE CUSTOMER DRAWING(OJE-SS-LMH2)	
	3 PLC	± -	-	
	4 PLC	± -	-	
MATERIAL		FINISH	SIZE	
-		-	A3	
		WEIGHT	CAGE CODE	DRAWING NO
		-	00779	1721261
		CUSTOMER DRAWING		RESTRICTED TO
		SCALE 5:1		SHEET 2 OF 2
				REV E